

megamount Smart3

Next Generation
Super-Automatic

"The next generation of tyre changer simple and ergonomic."

The megamount Smart 3 represents the next generation of tyre changer, where manual effort is reduced to a minimum, and the emphasis is on larger rims fitted with low profile tyres.

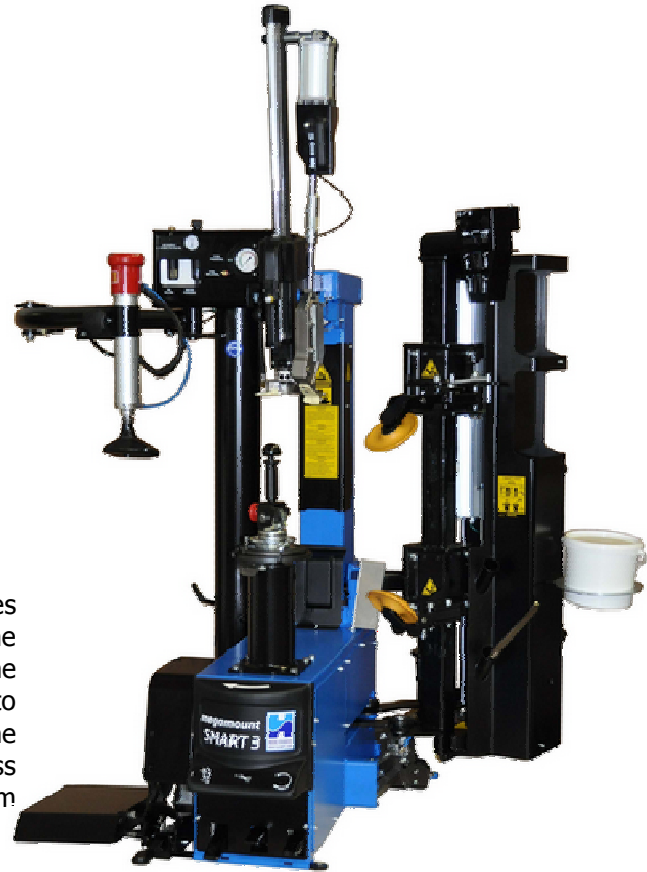


MAIN FEATURES

- Double arm/disk air operated bead breaker system;
- Reinforced chassis and tower;
- Operated by pedal and control console;
- SMART LOCK ultra-quick wheel clamping system, through cone and shaft with Smart Lock nut;
- Equipped with QX PLUS mount/demount system,
- Double rotation speed by pedal (moto inverter);
- Tyre inflation by pedal (standard);
- Equipped with BP1 Plus bead pressing arm (standard),
- Suitable for Wheel Lifter (optional);
- "Easy Access" extractable pedal box for quick service.



Designed, manufactured and assembled in ITALY



Central Clamping with "Smart lock"

This is one of the most significant features of this machine. Smart Lock is basically the fastest wheel clamping system in the world! Just slide the Smart Lock shaft into the wheel's centre hole and into the clamping chuck and lift the knob. Less than 2 seconds to have a perfect rim clamping.



QX-plus system

The 'lever-less' QX-System means that the tyre is removed at the flick of a switch rather than strenuous leverage with the traditional tyre lever. Used for mounting and dismounting. Pneumatically supported it catches the stiffest tires. Sometimes it can be that on special tyres the lever must be used anyhow. The QX plus supports both of this.



Twin Roller Bead Breaker and Tilting Side Bar

Once adjusted to the edge of your rim the machine "stores" the working position of both bead breakers. With the control device on the moveable side bar it is possible to tilt the side bar and have a free working space. If you need the bead breakers again, simply move the bar back to it's stored position and use bead breakers with out adjusting again.

BP1 press arm with self-storage function

This is a powerful pneumatic bead pressing system, facilitating mounting/demounting operations of UHP and *run-flat* tyres; and "Plus", at the end of the mounting procedure, it lifts up automatically, releasing the pressure on the bead and stowing itself in "rest" position, with no need for the operator to change his working position. Can be used with just one hand!



megamount SMART 3 Next Generation Super-Automatic

Standard Features and Optional Accessories

Standard Features coming with the machine:

- Plastic protectors for special types of RUN FLAT tyres
- Protectors for reverse clamping
- Protectors for clamping cones
- Clamp for mounting help
- 10 bar operating pressure limiting device
- CE 3,5 bar inflating pressure limiting device
- Water separator and oiler
- Fully WDK approved



Optional Accessories



JetBlast

This device helps seat the bead of stubborn sidewalls when inflating. Fully integrated in the machine. Replaces the GT device.



Wheel Lifter

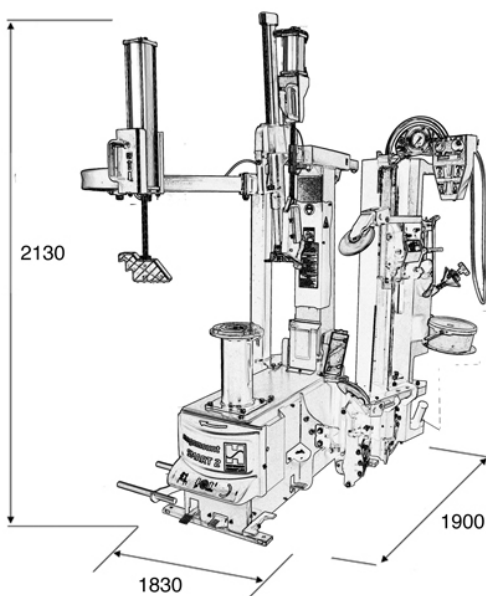
Easy operation with all tires. Lift can be ordered with the machine or retrofitted afterwards.



Color Options

Clamping Devices

a lot of clamping devices, cones and protectors for reverse clamping, clamping of alloy rims and special rims (light trucks) are available.



TECHNICAL DATA	
Operating pressure	8-10bar (115-145 psi)
Motor single phase	220V / 50Hz /750W
Rim clamping range	12-34"
Double rotation speed	7/16 rpm
Maximal wheel diameter	1200mm (47")
Maximal rim width	406mm (16")
Bead breaker pressure	1200kg Roller Bead Breaker
Dimensions	183x190x213
Gross weight	395kg